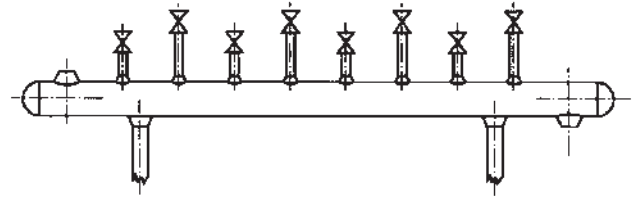




Cost Comparison Worksheet Standard Field Fabricated Tracer Line Steam Supply Manifold

Standard Steam Supply Installation Figure 1	Custom Steam Supply Installation	Description	Unit Cost	Total Cost
Quantity	Quantity			
Tubular Elements				
1		3" Sch. 80, 8 feet pipe		
2		3" Caps		
1		1-1/2" Branch Welding Fitting		
1		3/4" Branch Welding Fitting		
8		1/2" Branch Welding Fitting		
8		1/2" Sch. 80 Nipples		
Valves				
8		1/2" Gate or Globe		
Welding				
16		1/2" Nipple Ends		
2		3" Caps		
8		1/2" Branch Welding Fitting		
1		3/4" Branch Welding Fitting		
1		1-1/2" Branch Welding Fitting		
Support				
Sold Steel or Concrete				
Labor				

Figure 1



Overall length approximately 100 inches (2540 mm)

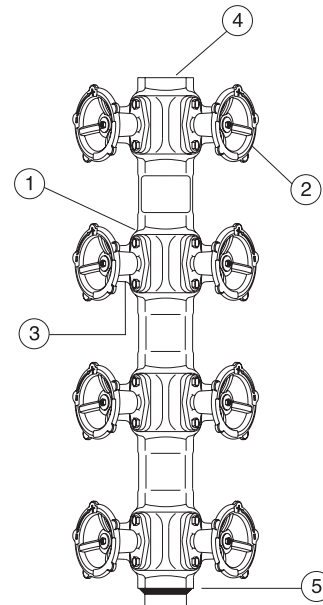
— hrs. — hrs. Approximate Assembly Time

Grand Total Cost _____

Steam Distribution Manifold (SMSD) For Tracer Lines

SMSD Assembly Components

- ① Forged steel body
- ② Integral piston style valve
- ③ 1/2" NPT / SW outlet connection
- ④ 1/2" SW inlet connection
- ⑤ Mounting connections on back of manifold



Typical SMSD-8 8 Station Configuration

Overall length approximately 19 inches (483 mm)

Qty.	Unit Cost	Total Cost SMSD-08
_____	_____	\$ _____

*last updated 11/15